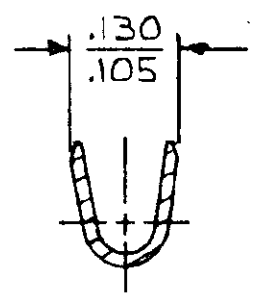
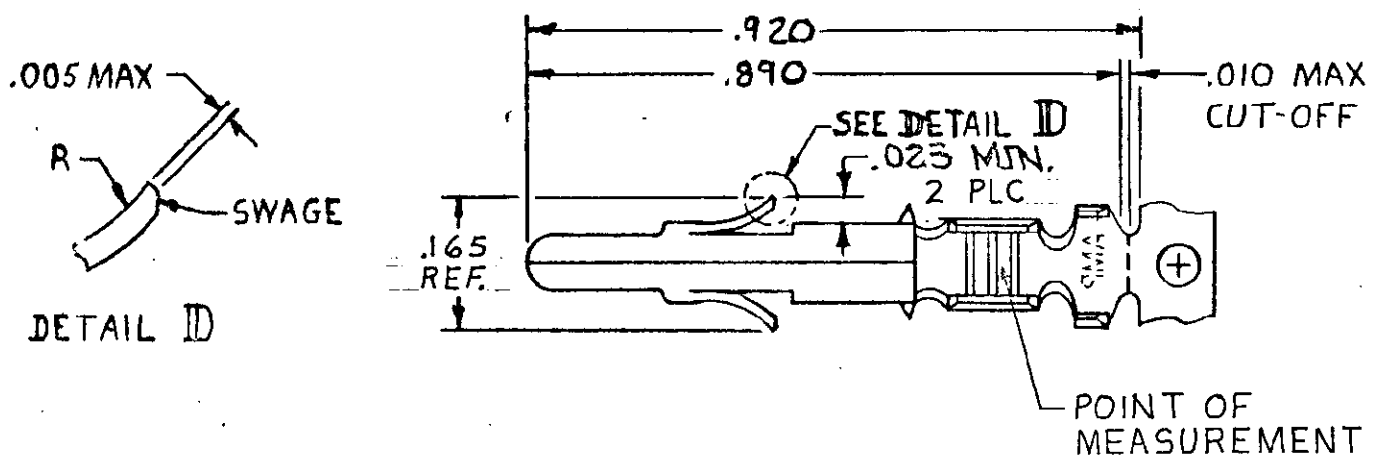


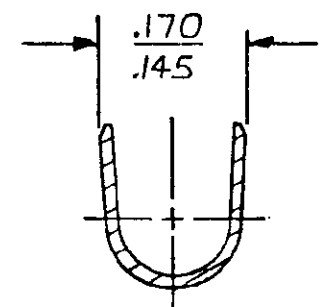
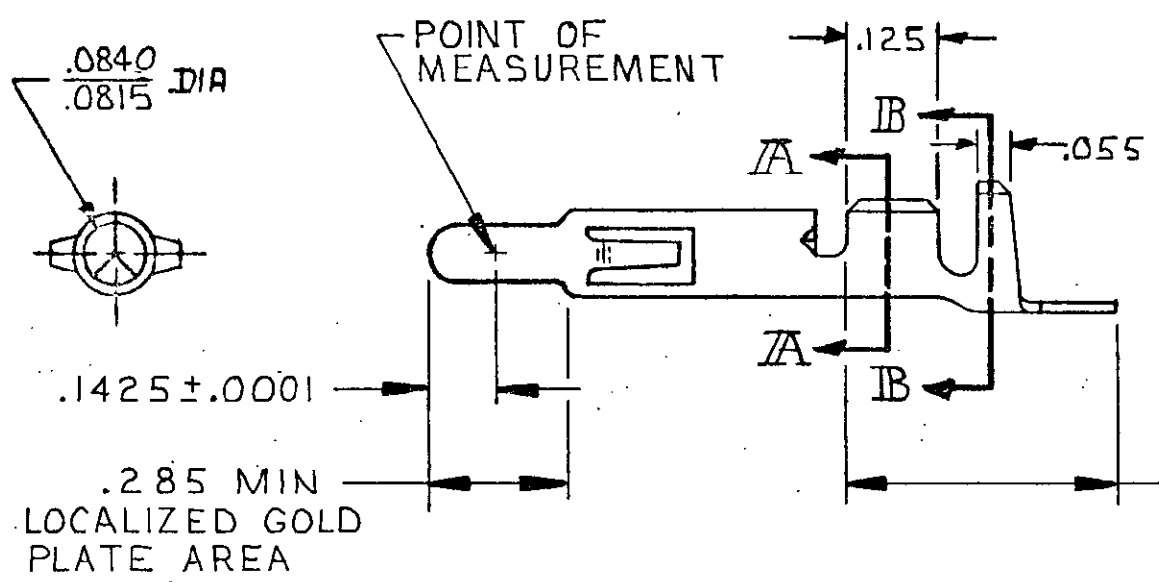
© COPYRIGHT 1974 BY AMP INCORPORATED, HARRISBURG, PA.
ALL INTERNATIONAL RIGHTS RESERVED. AMP INCORPORATED PRODUCTS
COVERED BY U. S. AND FOREIGN PATENTS AND/OR PATENTS PENDING.



SECTION A-A

		REVISIONS				
P	F	ZONE	LTR	DESCRIPTION	DATE	APPROVED
✓	✓		F	REDRAWN W/O CHANGE M-6457	6-5-81	MSF/DH
✓	✓		G	ADDED -3 PER TTI 82-61	9-30-82	MSF/DH
✓			H	REVISED AG 57	10/21/82	MSF/DH
✓			H ₁	RESTORED	4/4/85	BKD/RS
✓			J	OBsolete -3 CM 473	4-15-86	KW/RS
✓	✓		K	RLSD -7 PER PR CM 90-7	1-17-90	TB/RS
✓	✓		L	REVISED PER CM-3286	2-7-91	PKC/RS
✓			M	REV PER EC 0730-3607-91	1-7-94	RV/RS
✓			N	REV PER EC 0730-0141-94	7-26-94	RV/RS

△ .000030 MIN GOLD AT POINT OF MEASUREMENT
IN GOLD PLATE AREA; .000030 MIN TIN IN TIN
PLATE AREA; .000050 NICKEL UNDERPLATE ON
ENTIRE CONTACT.



SECTION B-B

	△	.012 BRASS	350654-7
350669-1	PRE-TIN	.012 BRASS	350654-1
LOOSE PIECE (REF)	FINISH	MATERIAL	PART NO

UNLESS OTHERWISE SPECIFIED DIMENSIONS ARE IN INCHES. TOLERANCES ON: DECIMALS ± .015 ANGLES ±	CONTRACT NO		AMP AMP INCORPORATED Harrisburg, Pa.	
	DR <i>m. Feher 5-6-81</i>			
	CHK <i>D.S. Weide 6/9/81</i>		NAME PIN, GROUNDING	
	APPD <i>D. Polakub 6-10-81</i>		UNIVERSAL MATE-N-LOK	
WIRE RANGE 20-14 AWG	DSGN APPD	SIZE B	CODE IDENT NO 00779	DRAWING NO 350654
INSULATION RANGE .130 DIA MAX	OTHER APPD	SCALE NTS	SHEET #	